



Bell Hydromatics

Pressure Control Valves

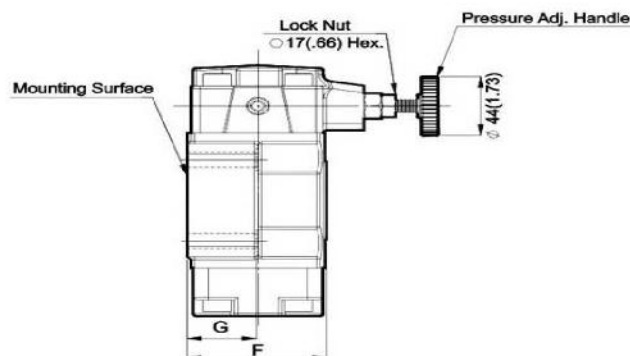
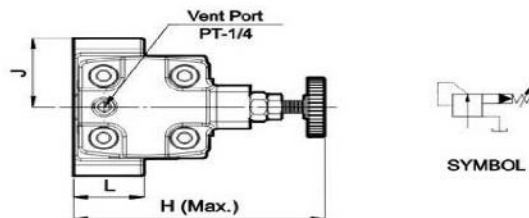
Pressure Reducing Valves



Ordering Code

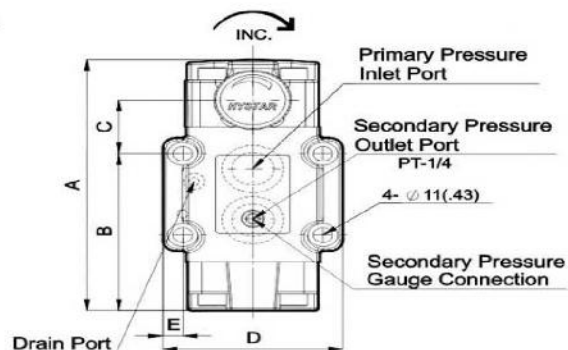
RC	T	03	B	20
Series No	Type of Mounting	Valve Size	Pressure Range	Design No
R: Pressure Reducing Valves RG/RT	G Subplate Mounting	03:(3/8") ISO 5781-AG-06-2-A	B:7-70 bar(100~1000 PSI)	20(G) DIN 912 bolts
RC: Pressure Reducing and Check Valves	T Threaded Connection	06: (3/4") ISO 5781-AH-08-2-A	C: 35~140 bar (500~2000 PSI)	2090(G) UNC bolts (north America)
RCG/RCT			H: 70~225 bar (1000~3200 PSI)	20(T) PT Connection 2090(T) NPT Connection (North America)

Pressure Reducing Valves(Sub Plate Type)

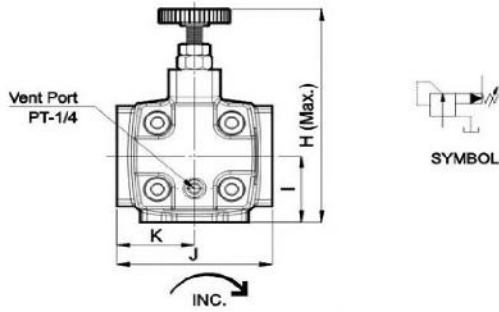


Valve Specifications & Attachment

Model	RG-03	RG-06
Flow Rating	50 lpm (13.2 gpm)	125 lpm (33 gpm)
Max. Pressure	250 bar (3600 psi)	250 bar (3600 psi)
Weight kg(lbs.)	4.5 (9.9)	6.8 (15.0)
CODE:20	M10 X50LgX4pcs	M10 X50LgX4pcs
CODE:2090	3/8-16UNCX2LgX4pcs	3/8-16UNCX2LgX4pcs
Surface O-Ring	P9X1pc, P18X2pc	P9X2pc, P29X2pc
ISO Mounting	5781-AG-06-2-A	5781-AH-08-2-A

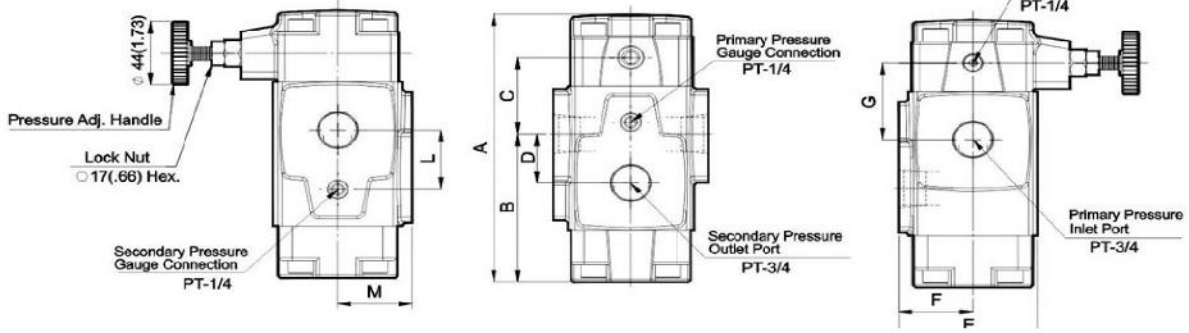


Pressure Reducing Valves(threaded Type)

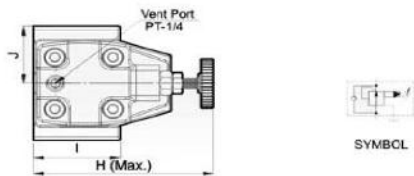


Valve Specifications & Attachment

Model	RT-03	RT-06
Flow Rating	50 lpm (13.2 gpm)	125 lpm (33 gpm)
Max. Pressure	250 bar (3600 psi)	250 bar (3600 psi)
Weight kg(lbs.)	4.3 (9.5)	6.9 (15.2)
CODE:20	3/8" PT	3/4" PT
CODE:2090	3/8" NPT	3/4" NPT

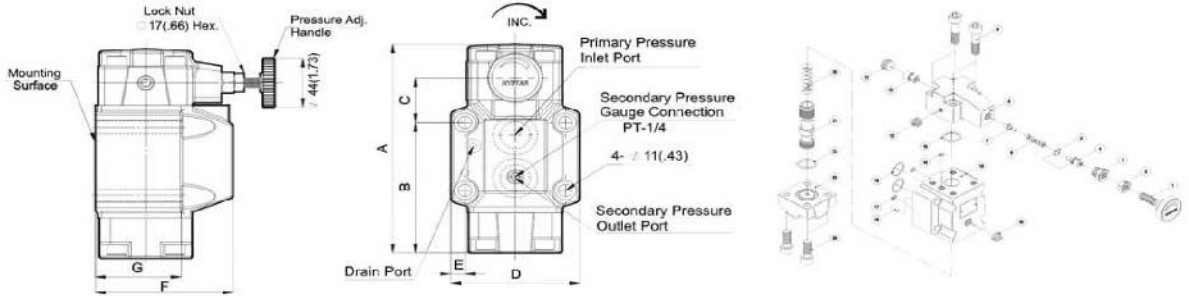


Pressure Reducing with Check Valves(Sub Plate Type)

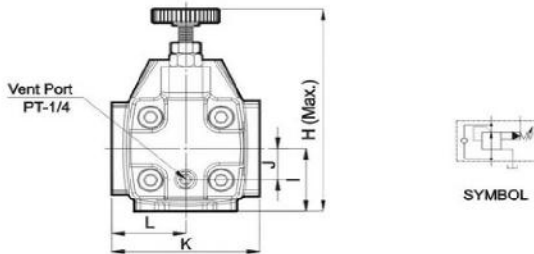


Valve Specifications & Attachment:

Model	RCG-03	RCG-06
Flow Rating	50 lpm (13.2 gpm)	125 lpm (33 gpm)
Max. Pressure	250 bar (3600 psi)	250 bar (3600 psi)
Weight kg(lbs.)	5.4 (11.9)	8.1 (17.9)
CODE:20	M10 X70LgX4pcs	M10 X80LgX4pcs
CODE:2090	3/8-16UNCX3-3/4LgX4pcs	3/8-16UNCX3-1/4LgX4pcs
Surface O-Ring	P9X1pc, P16X2pc	P9X2pc, P29X2pc
ISO Mounting	5781-AG-06-2-A	5781-AH-08-2-A



Pressure Reducing with Check Valves(Threaded Type)



Valve Specifications & Attachment

Model	RCT-03	RCT-06
Flow Rating	50 lpm (13.2 gpm)	125 lpm (33 gpm)
Max. Pressure	250 bar (3600 psi)	250 bar (3600 psi)
Weight kg(lbs.)	4.8 (10.6)	7.8 (17.2)
CODE:20	3/8" PT	3/4" PT
CODE:2090	3/8" NPT	3/4" NPT

